

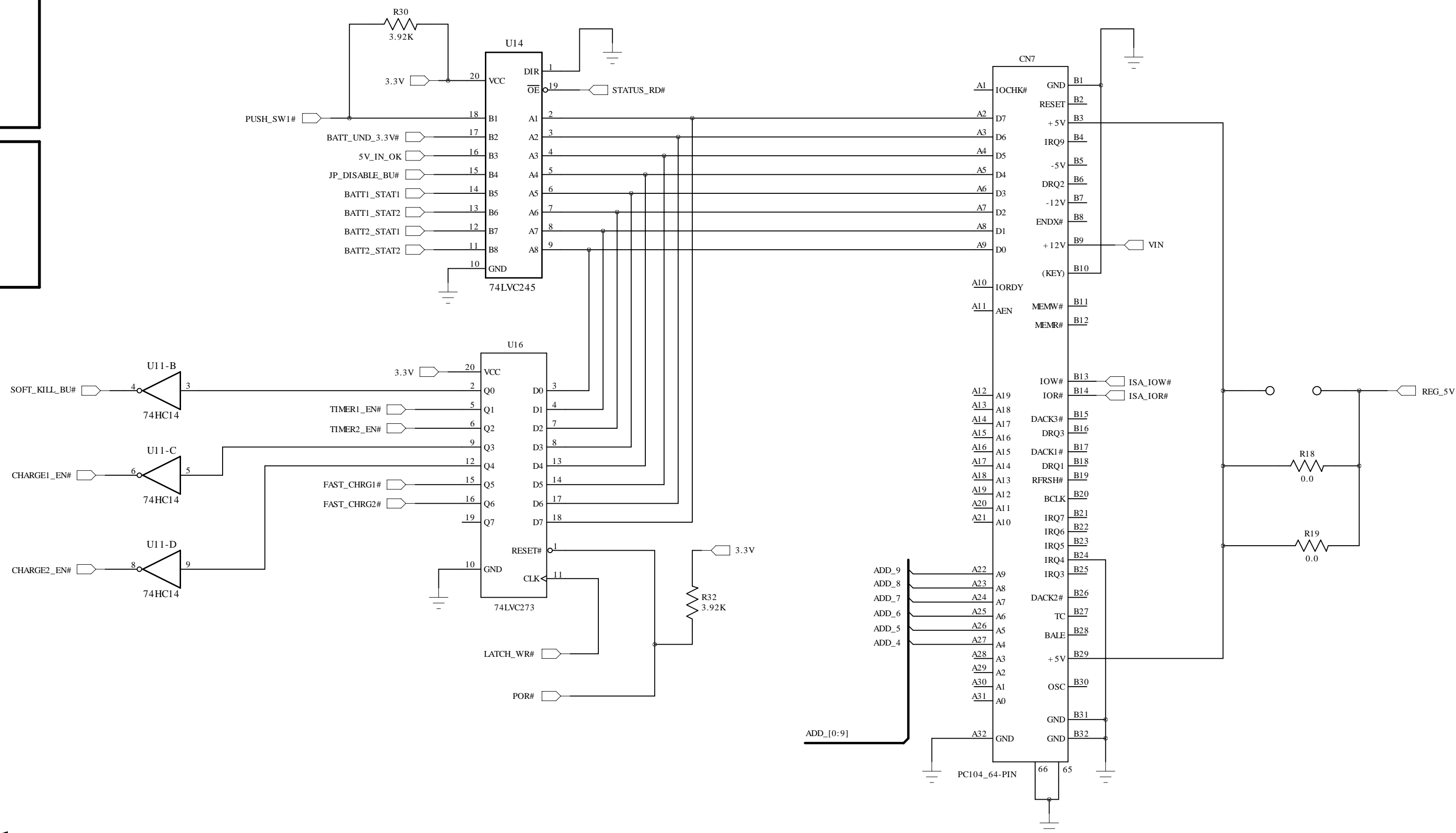
Rev.A to Rev.B Changes:

- Removed two SMT Thermistors
- Added second TH Thermistor
- Added 2-pos Power Conn. (and mate)
- Changed Silkscreen to "Hex 300"
- R18 and R19 - Not Pop.
- Add mate to JP1 = Molex # 15381026

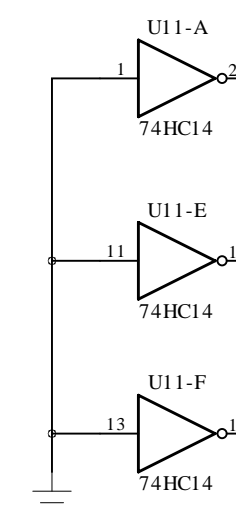
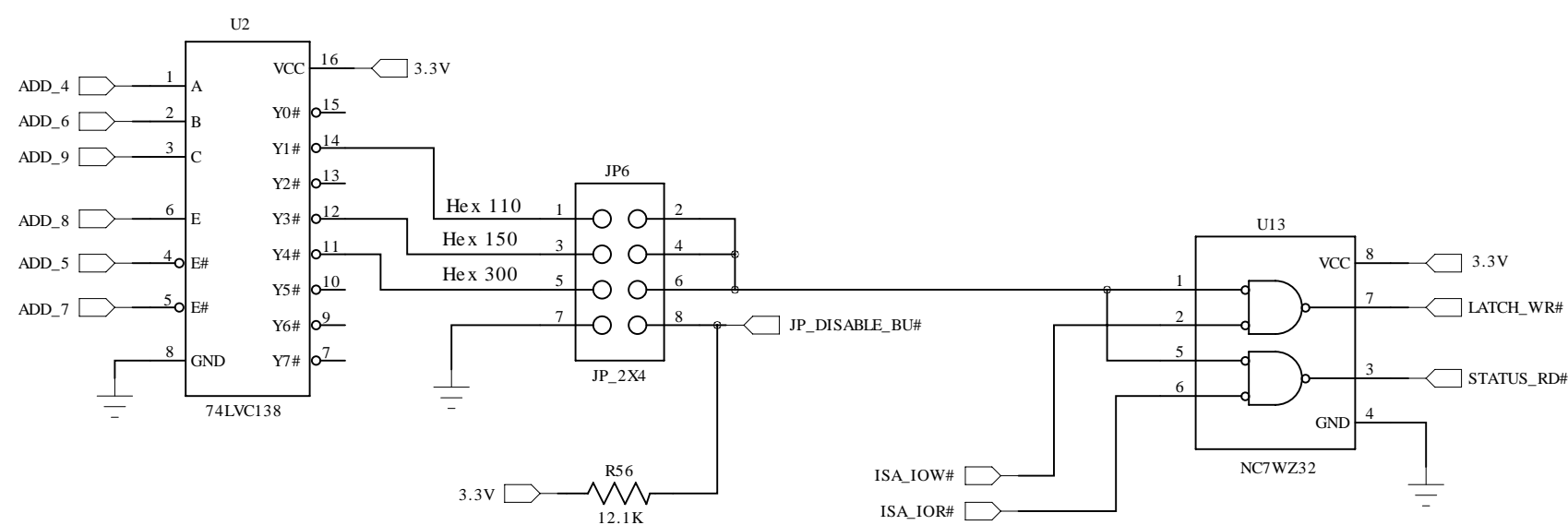
Rev.B to Rev.C Changes:

- Added two resistors to Thermistors

PC/104 64-pin Connector



Address Decode

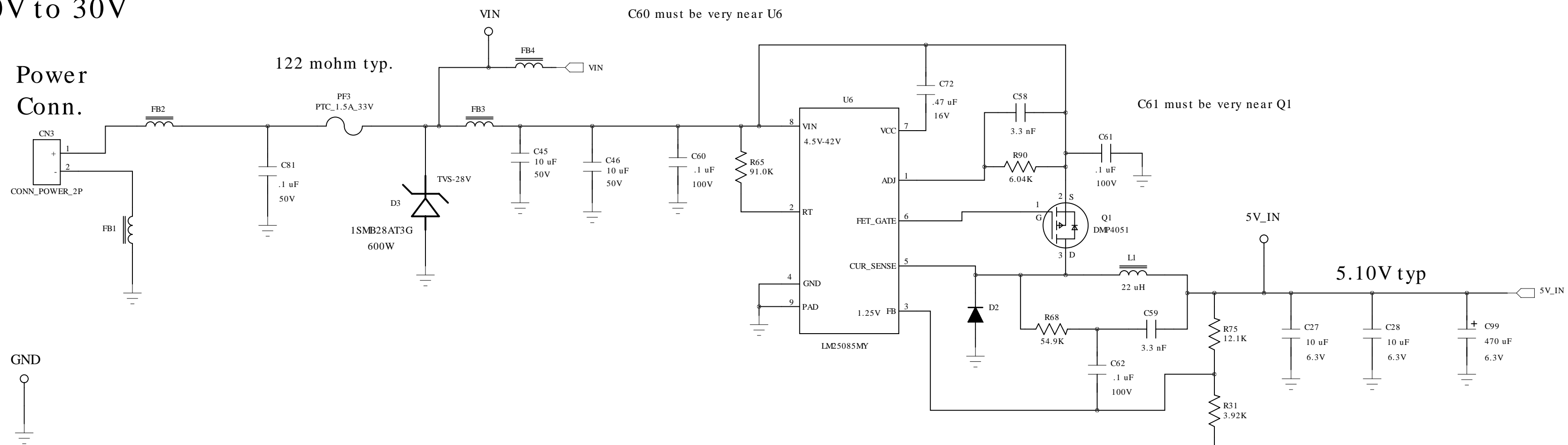


Technologic Systems	Feb. 7, 2014
Title: TS-BAT_10 PC/104 bus	
Rev: C	Designer
Sheet 1 of 4	

5V Power Supply (3.0 Amps)

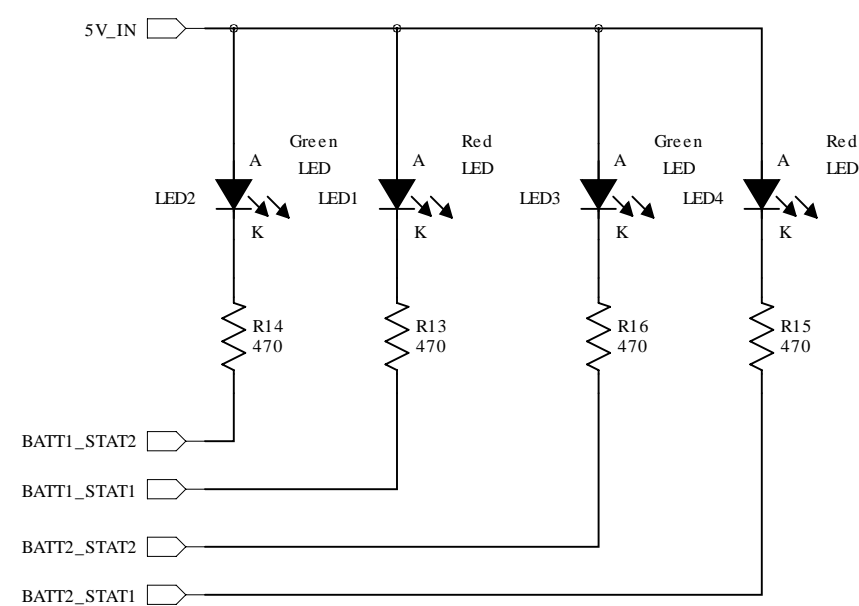
Input Power

5.0V to 30V

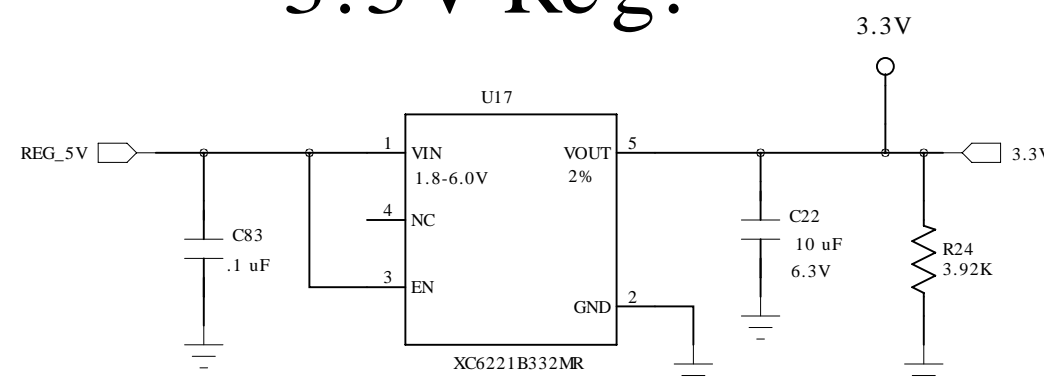


Battery Charging

LEDs

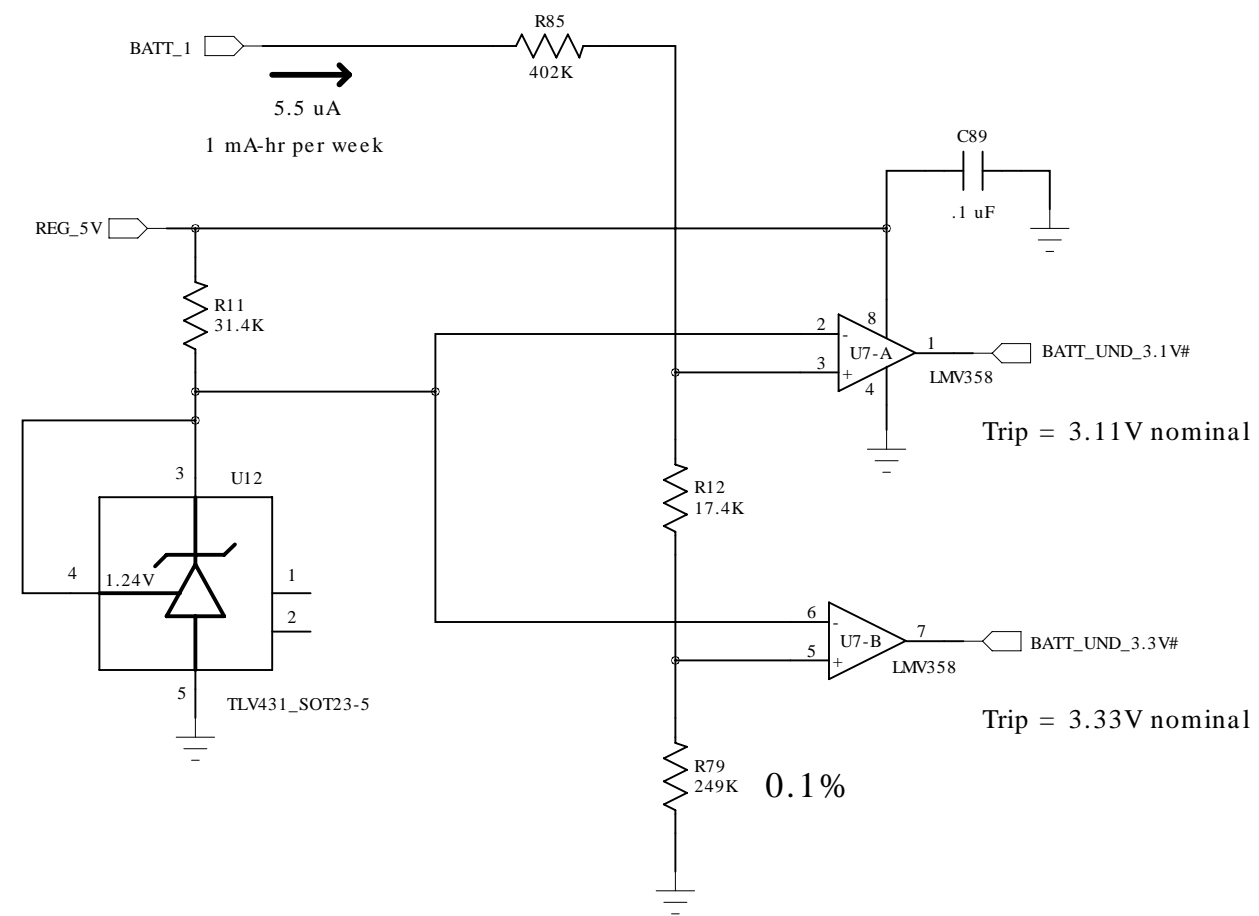


3.3V Reg.

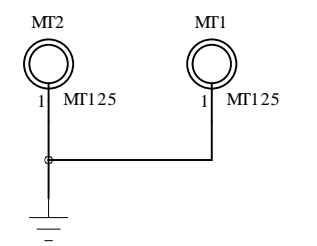
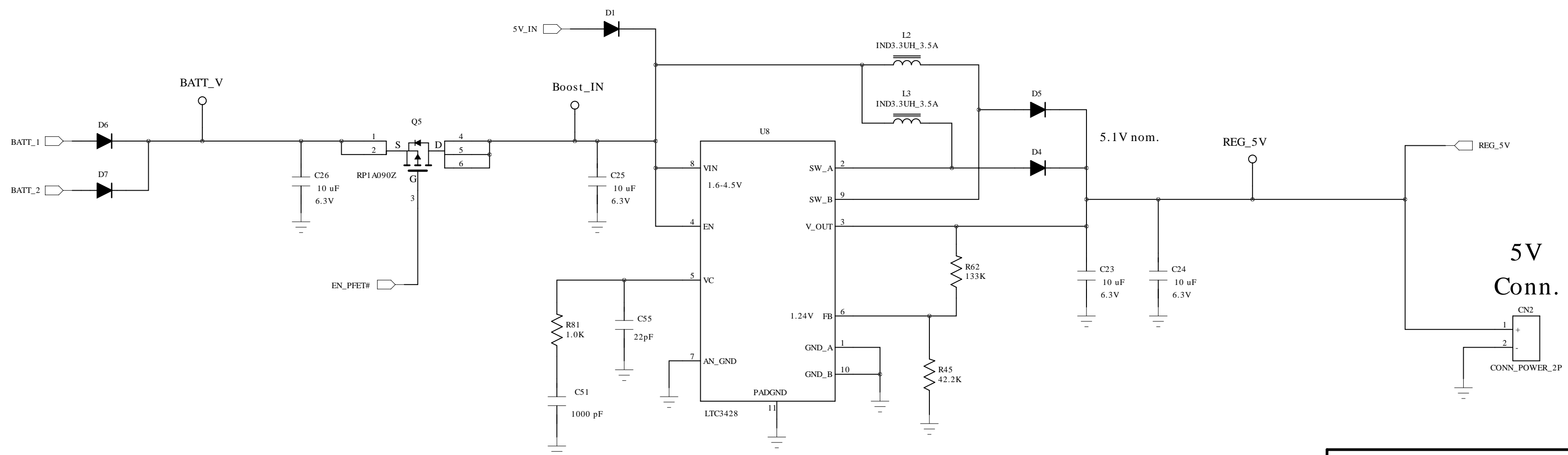


Technologic Systems	Feb. 7, 2014
Title: TS-BAT_10 5V Power, and 3.3V Reg.	
Rev: C	Designer
Sheet 2 of 4	

Low Battery Detector

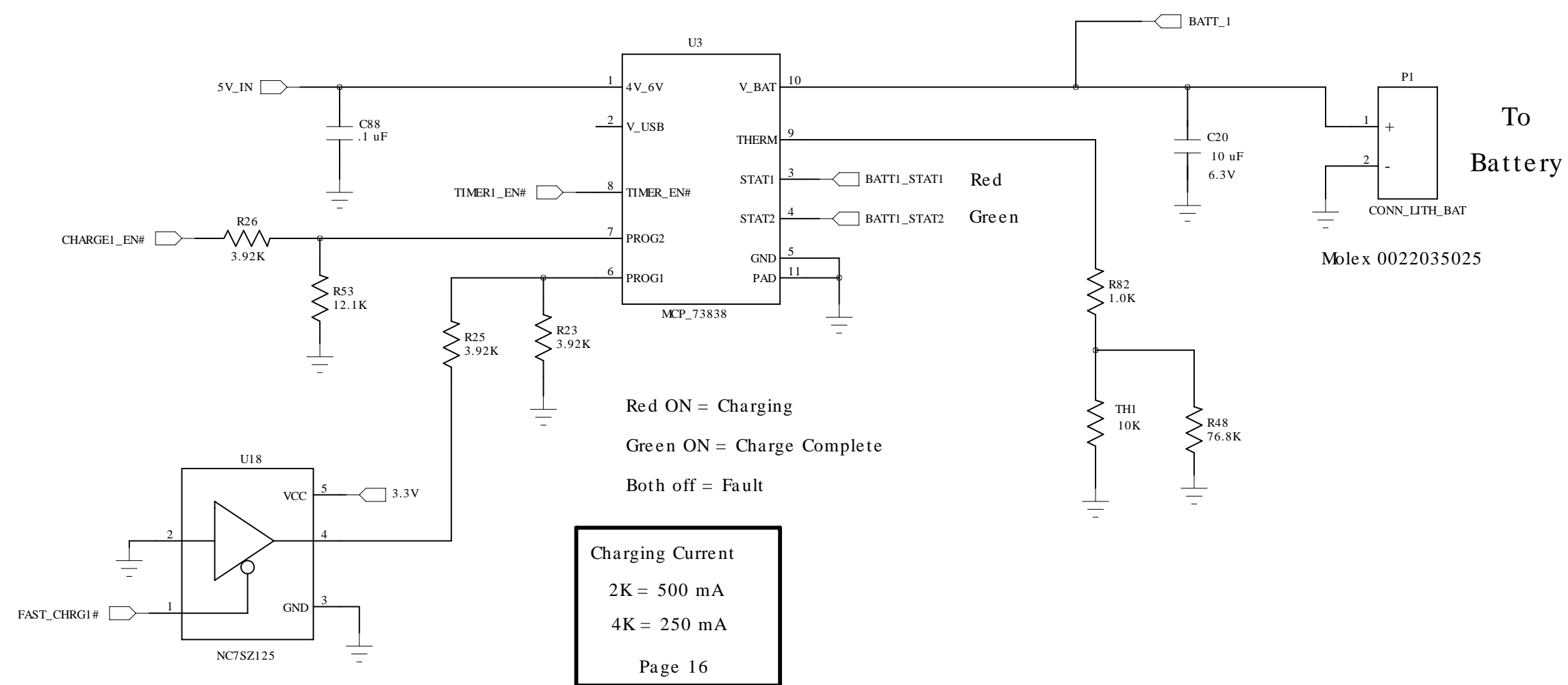


Boost Regulator

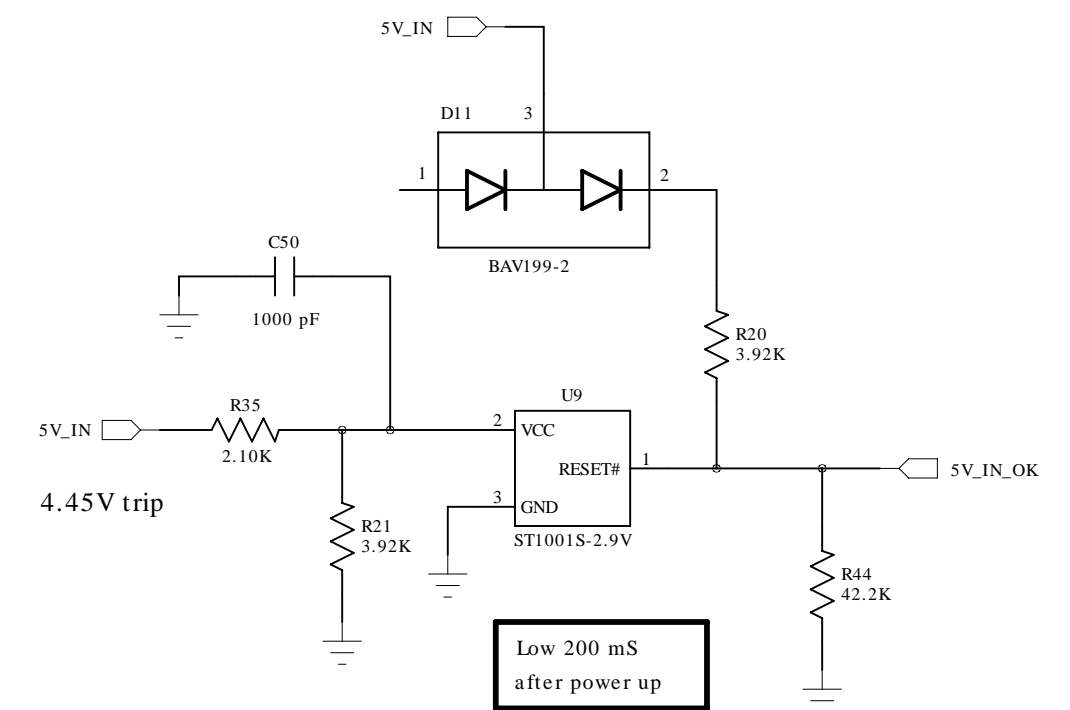


Technologic Systems	Feb. 7, 2014
Title: TS-BAT_10 Boost Reg. Low Bat detect	
Rev: C	Designer RLM Sheet 3 of 4

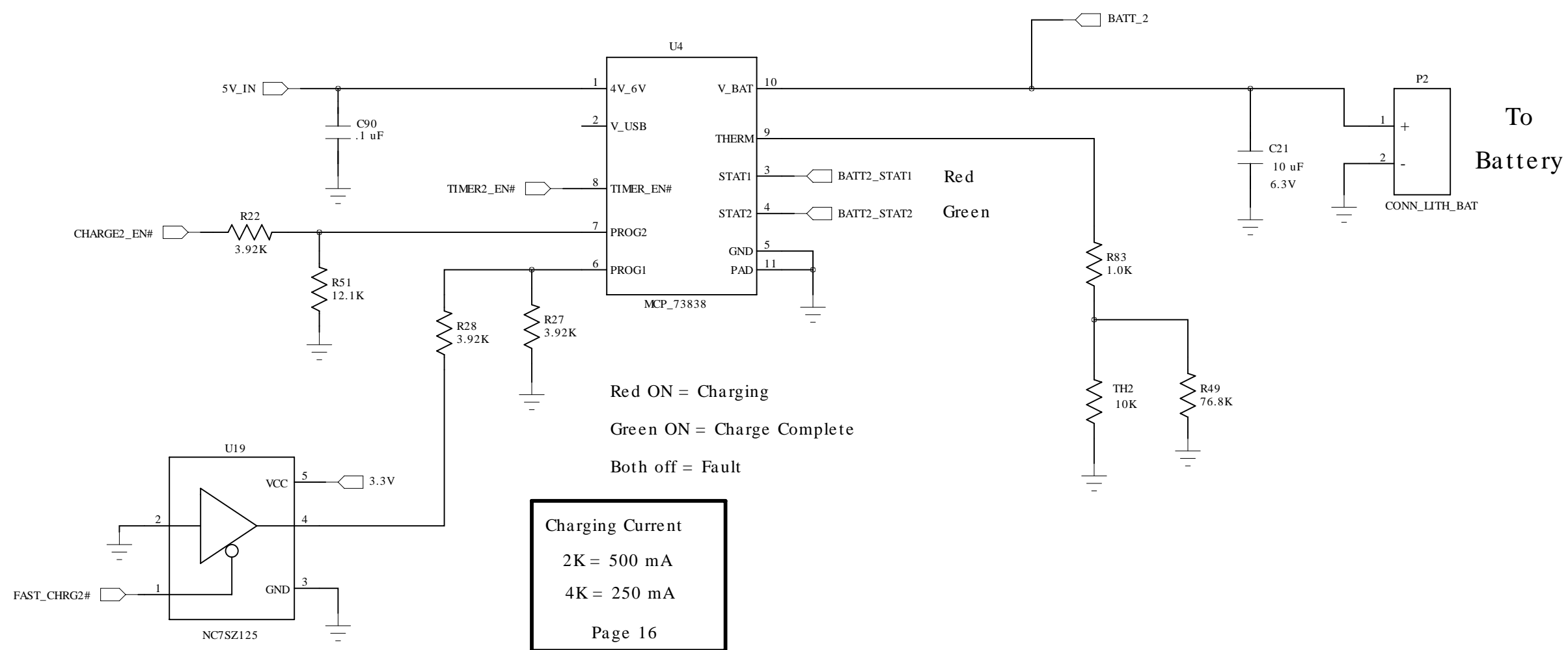
Battery Charger



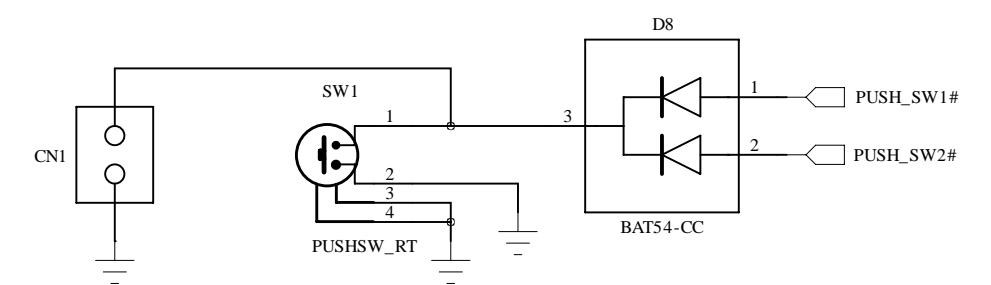
5V IN Fail Detector



Causes "switch over" to Battery BU mode



Right Angle Push Switch



Battery BU ON/OFF