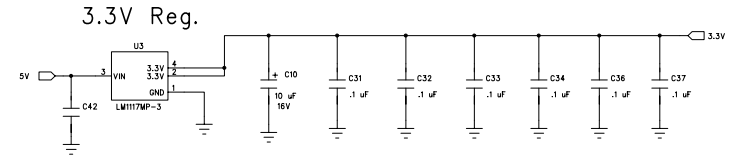
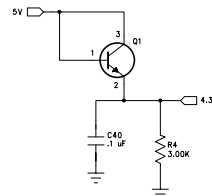
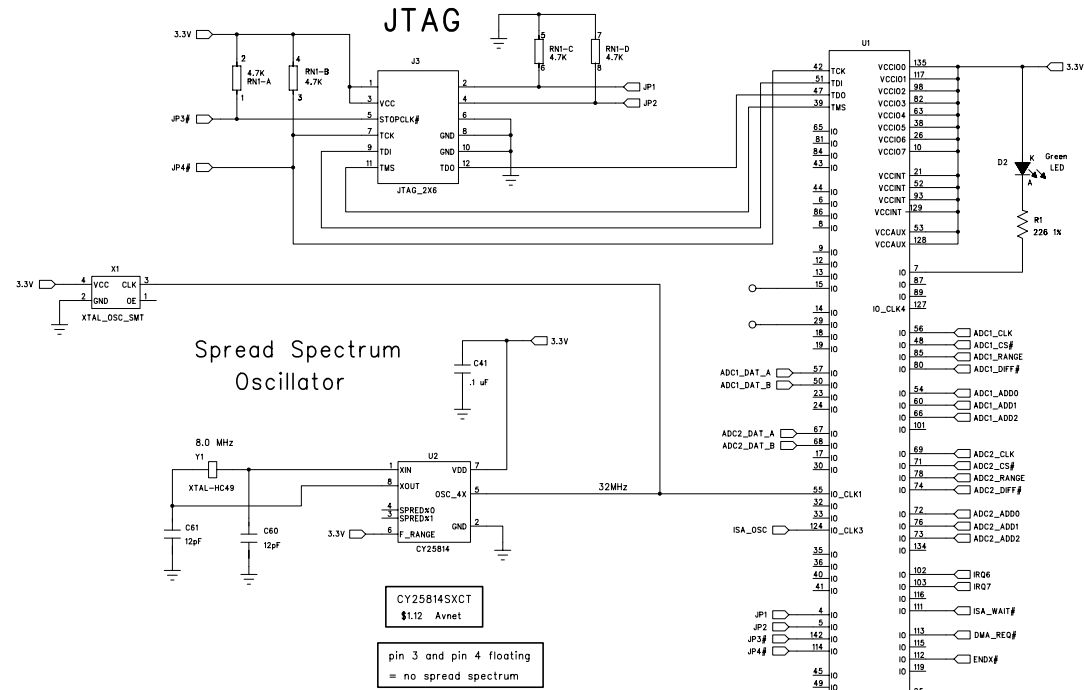


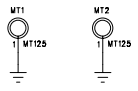
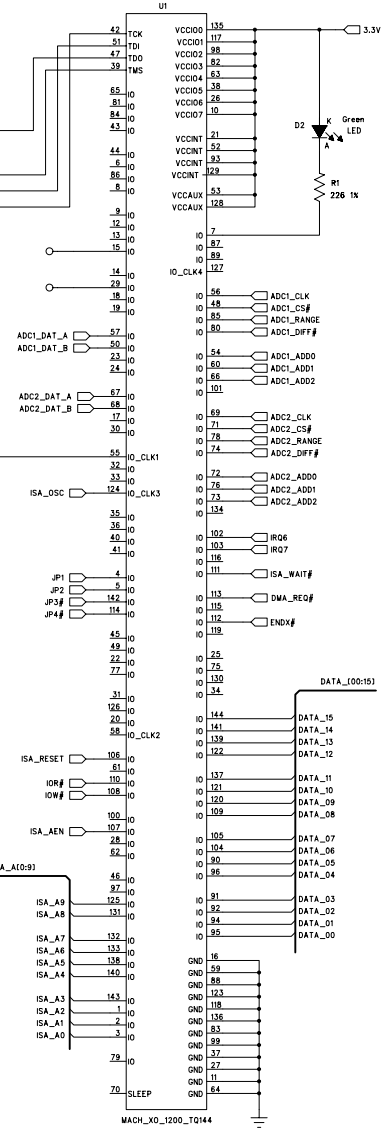
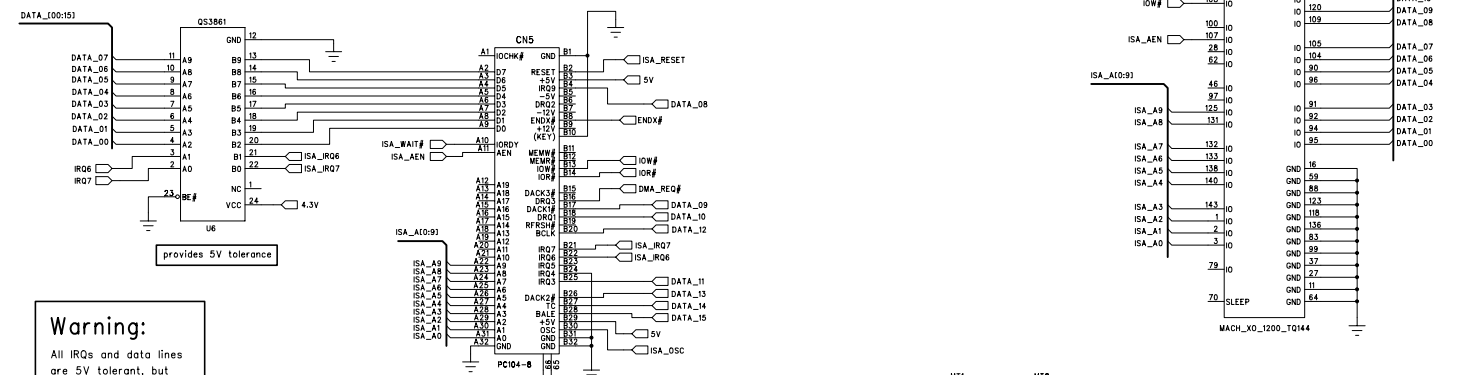
VDRIVE must never exceed DVDD or AVDD by more than 0.3 V



Technologic Systems	Date Jan. 18, 2008
Title: TS-ADC24 High Speed ADC	
Rev:	Designer
Sheet 1 of 2	



PC/104 64-pin Connector



Technologic Systems	Date Jan. 18, 2008
Title: TS-ADC24 High Speed ADC	
Rev:	Designer
	Sheet 2 of 2