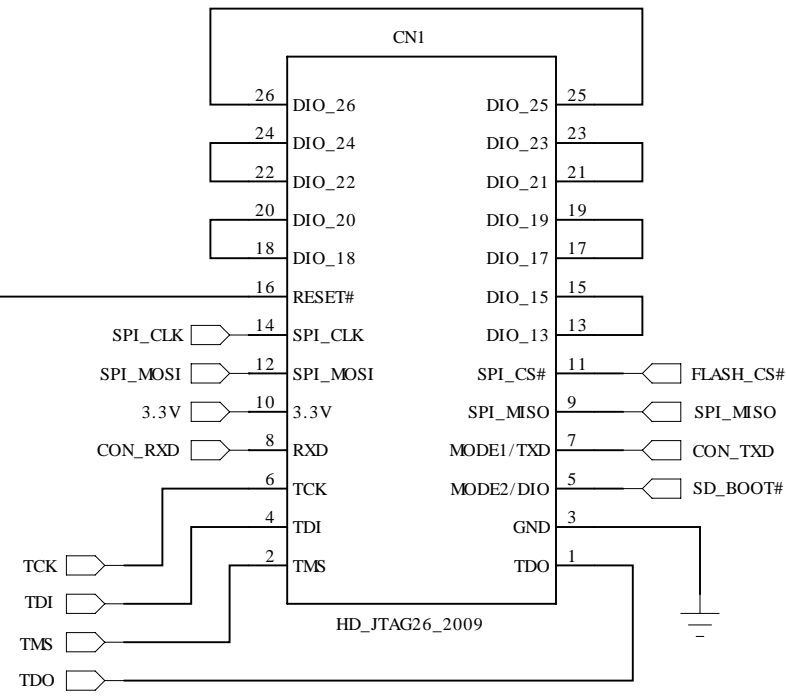
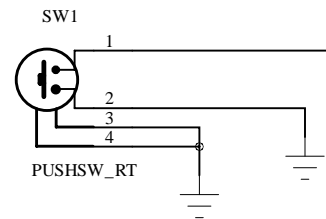


## 26-Pin Blast Connector

### SBC RESET

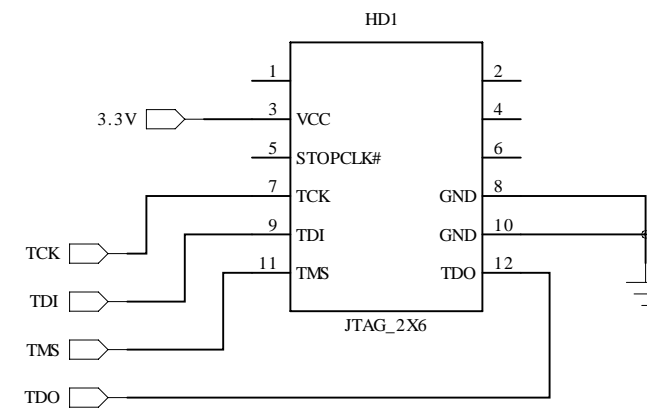


Mode 1	Mode 2	SBC Boots from
1	1	NAND Flash
1	0	SD Card
0	1	Off-board Flash
0	0	Off-board Flash

MODE1 and MODE2 states are latched when CPU\_RESET# is deasserted

MODE1 and MODE2 have 4.7K resistor pull-ups on SBC

## JTAG Header



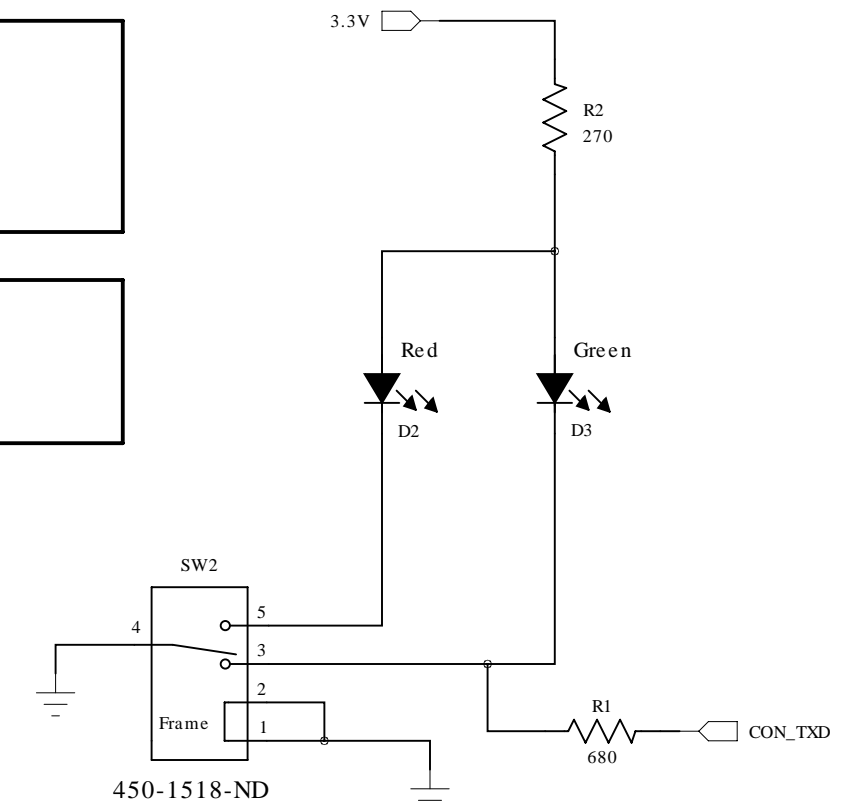
For TS-7552, TS-7553,  
TS-8510 and others

### Green 3mm Thru-hole LED

160-1659-ND .14 320mcd 45 deg.  
67-1059-ND .12 100mcd 30 deg.

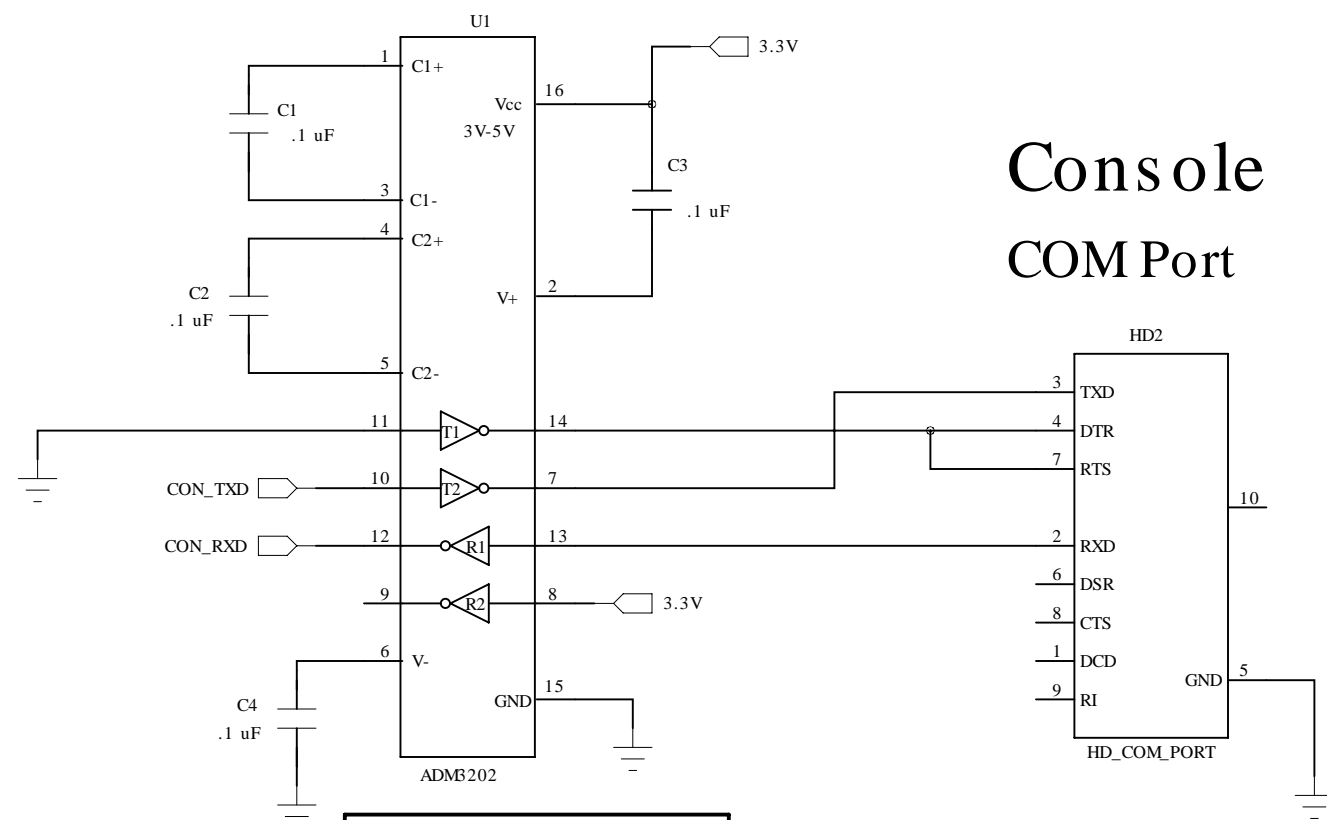
### Red 3mm Thru-hole LED

160-1661-ND .13 250mcd 45 deg.



Switch down =  
Boot from 9448 Flash

## RS-232 Transceiver

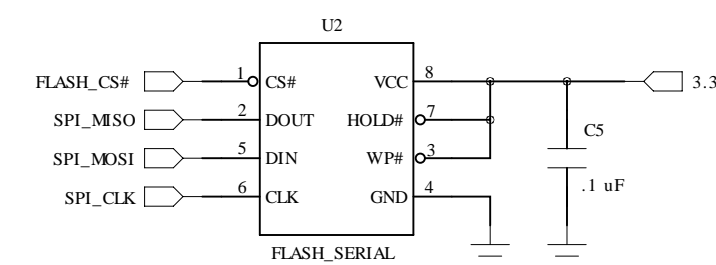


### Console COM Port

MAX3232 = 2nd source  
ST3232 = 3rd source

## 4 MB

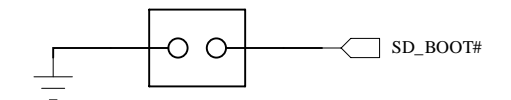
### Serial Flash



For Recovery only

Used to De-Brick  
some SBC models

### JP1



Attempt boot from SD card

Technologic Systems	Date Dec. 12, 2009
Title: TS-9448 JTAG and Console board	
Rev:	Designer
Sheet 1 of 1	