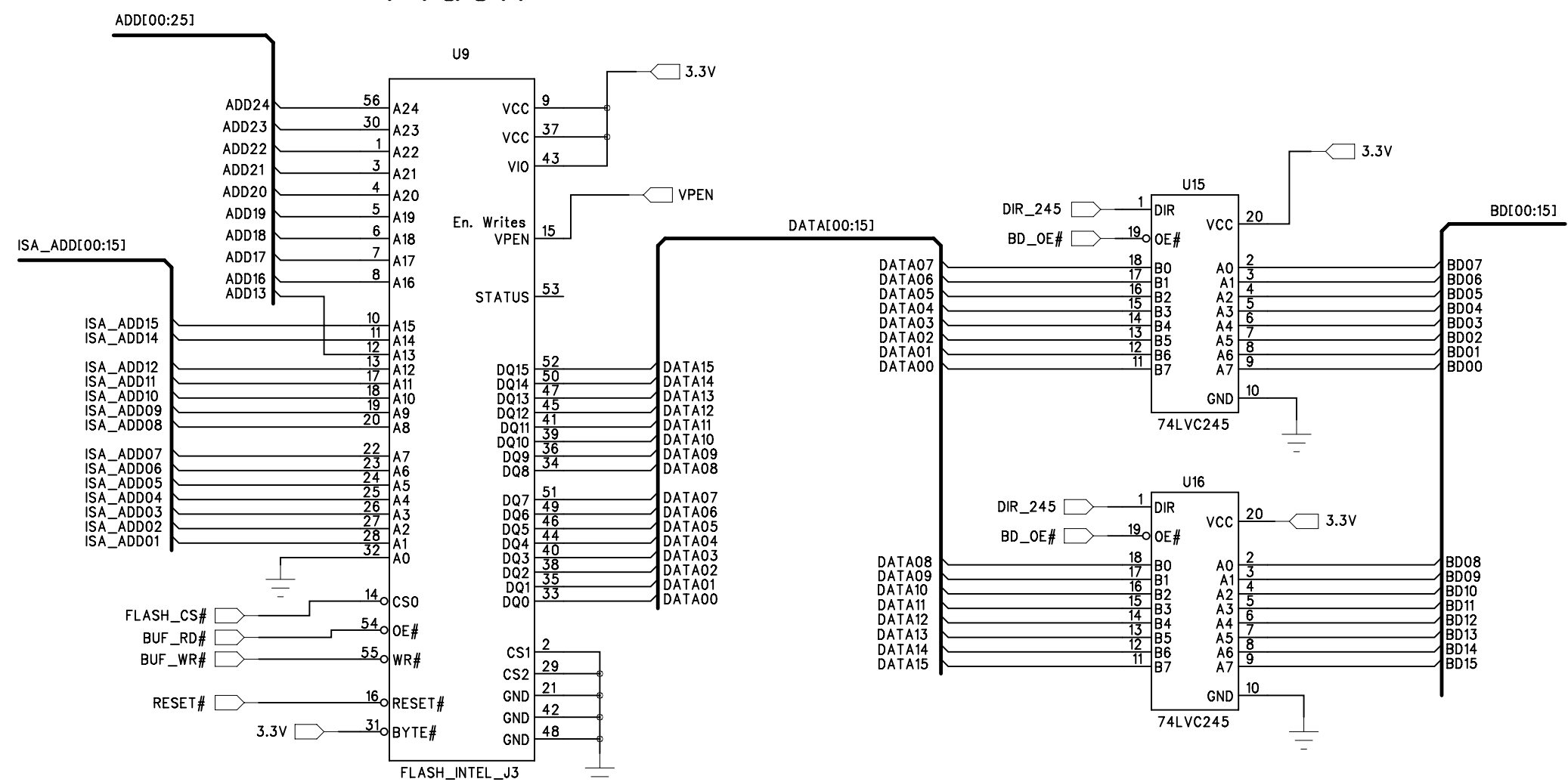


CS7 and CS6  
Select 16-bit Flash  
when CS7# = low  
and CS6# = high

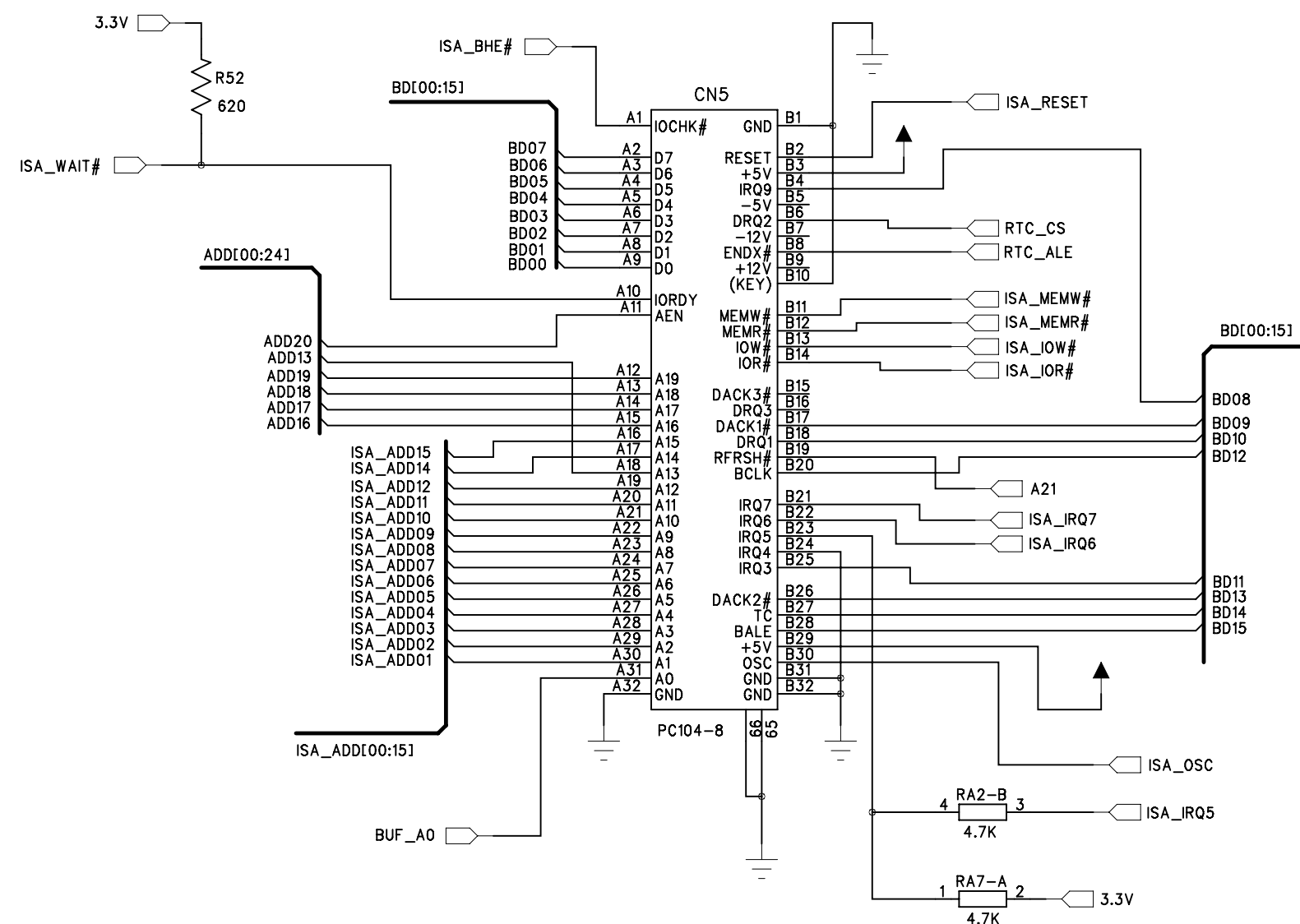
EE\_CLK low @reset  
= Boot External

**Jumpers:**  
 JP1 = Boot Serial  
 JP2 = Console Enable  
 JP3 = Write Enable Flash  
 JP4 = Stop @ Redboot  
 JP5 = TS\_Test  
 JP6 = Reserved

### 4-32 MB Flash

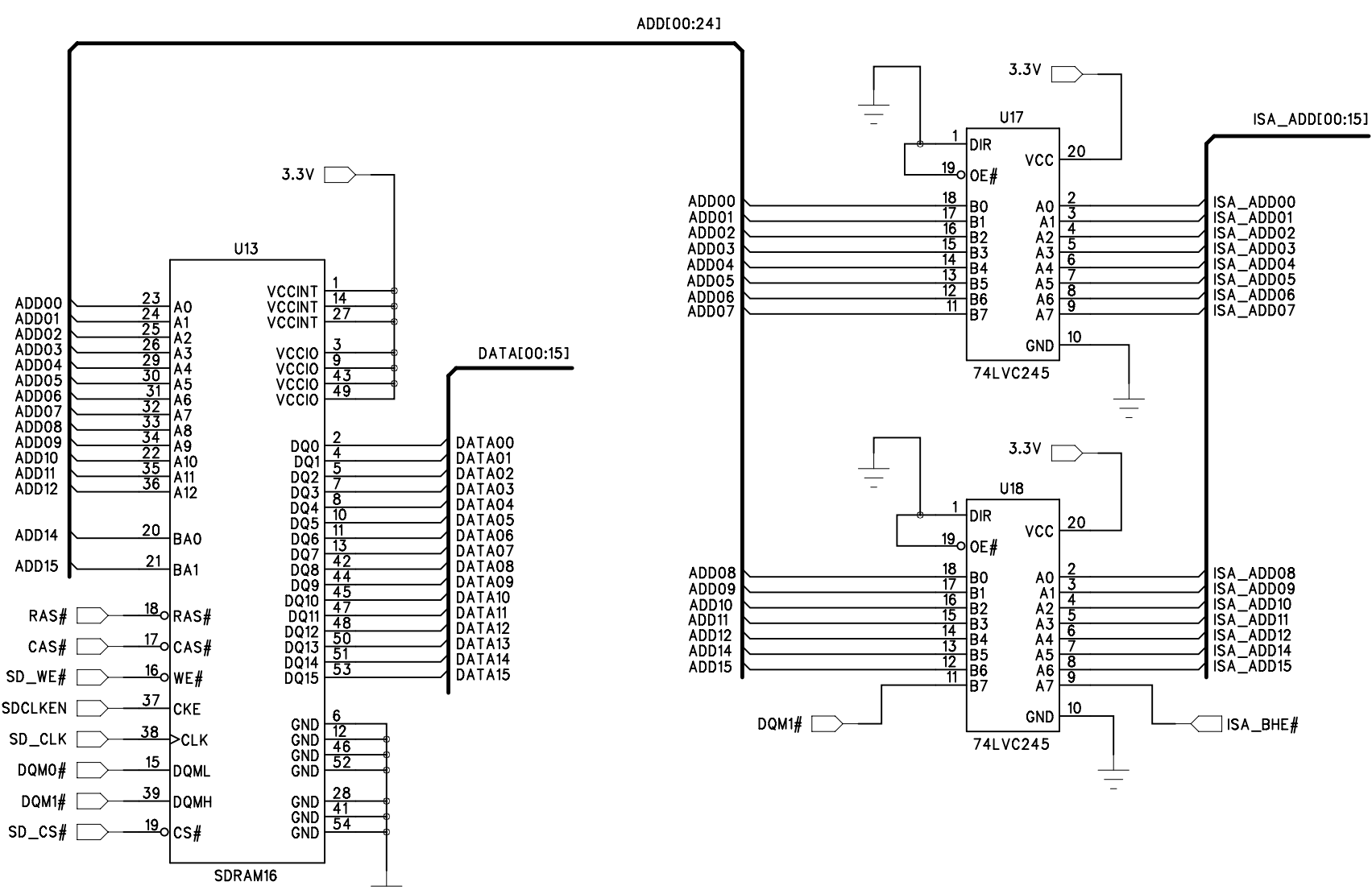


### PC/104 Connector

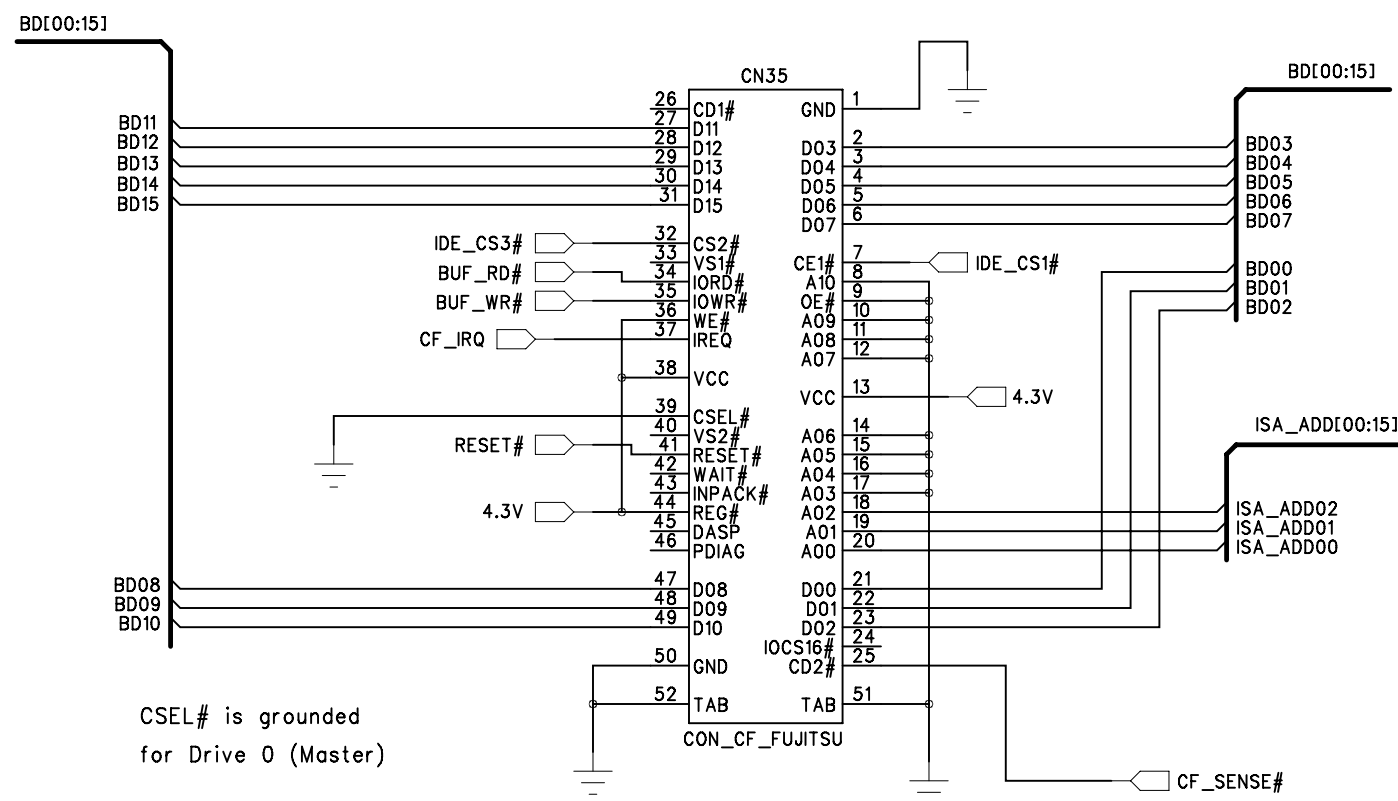


### SDRAM

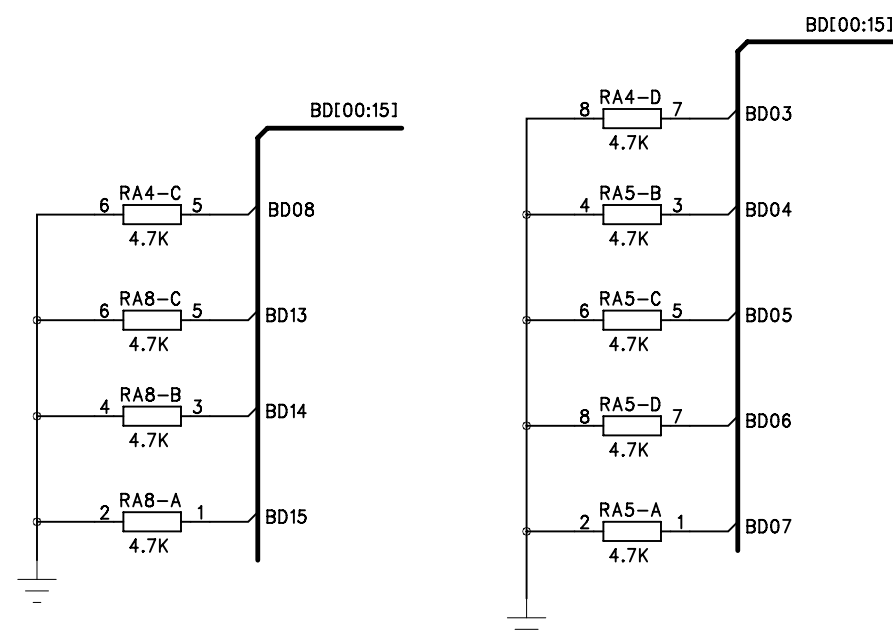
16 / 32 / 64 MB



### Compact Flash

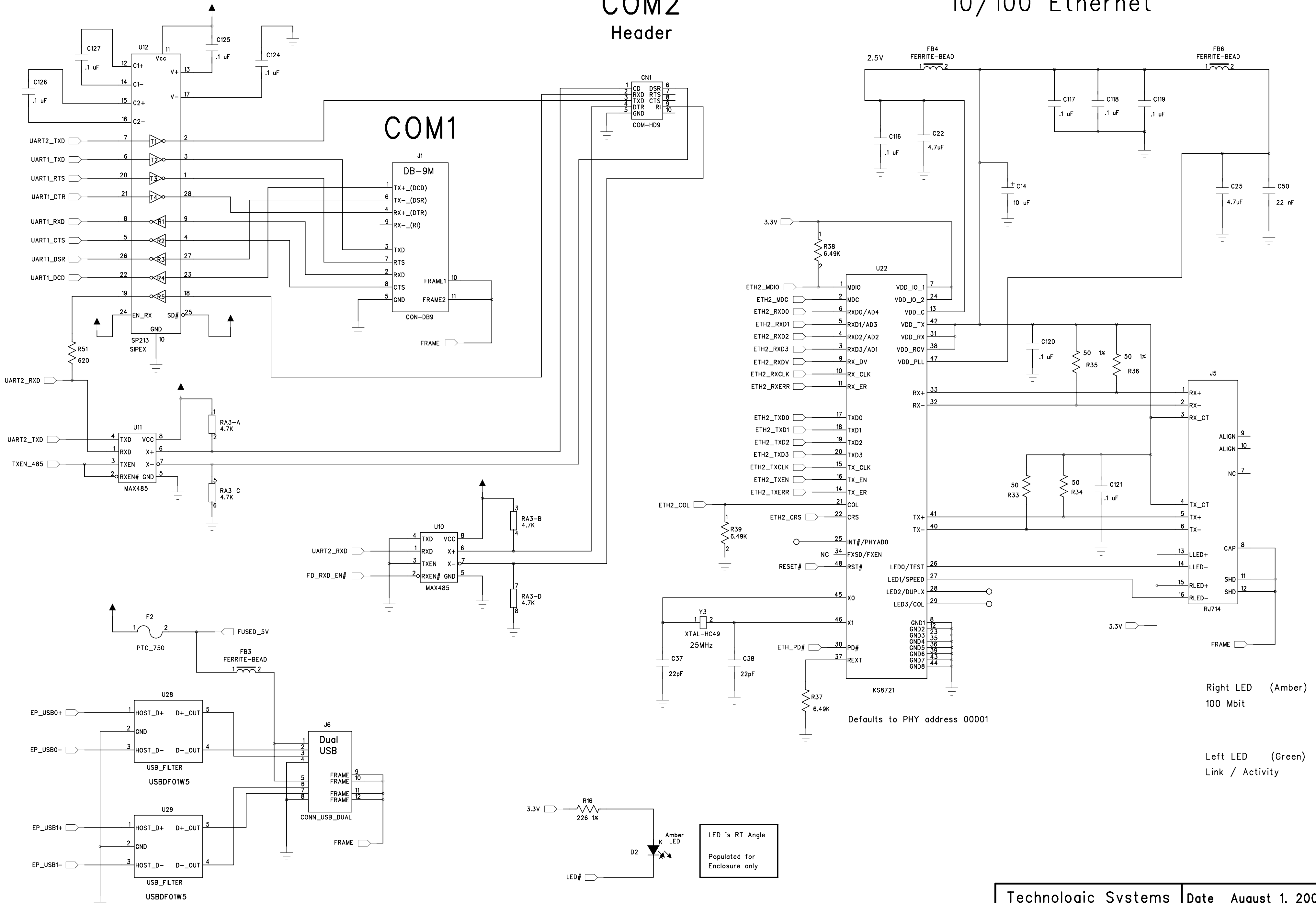


Data Bus Pull-Down Resistors



# COM2 Header

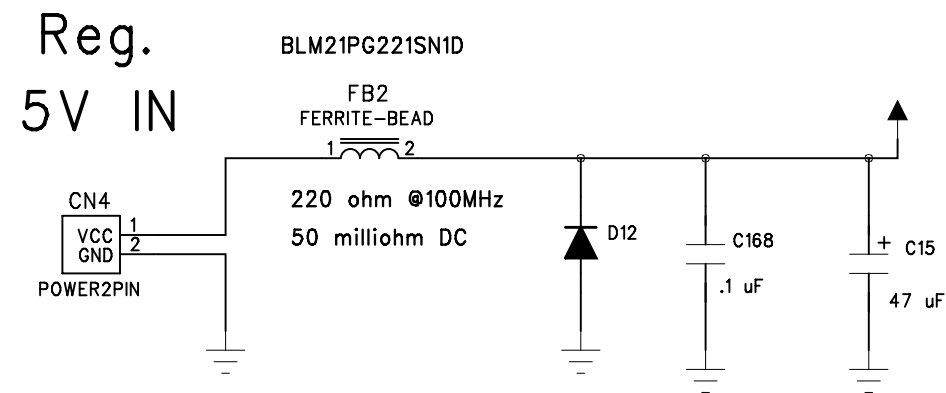
# 10/100 Ethernet



Right LED (Amber)  
100 Mbit

Left LED (Green)  
Link / Activity

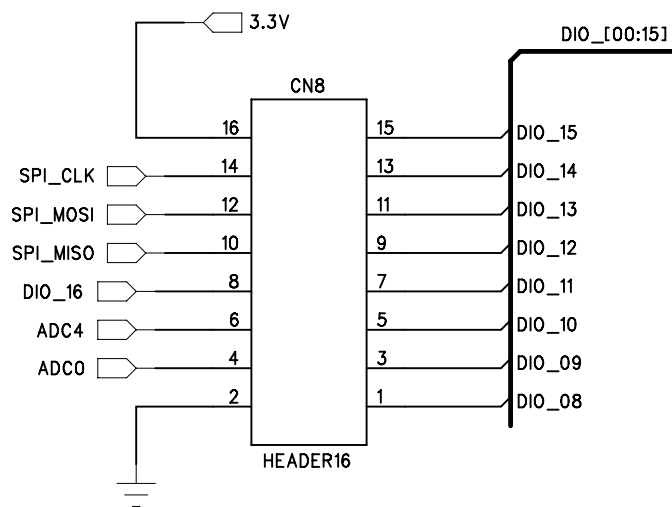
Technologic Systems	Date August 1, 2004
Title: TS-7200_P4 Ethernet, COM, USB	
Rev:	Designer RLM Sheet 3 of 4



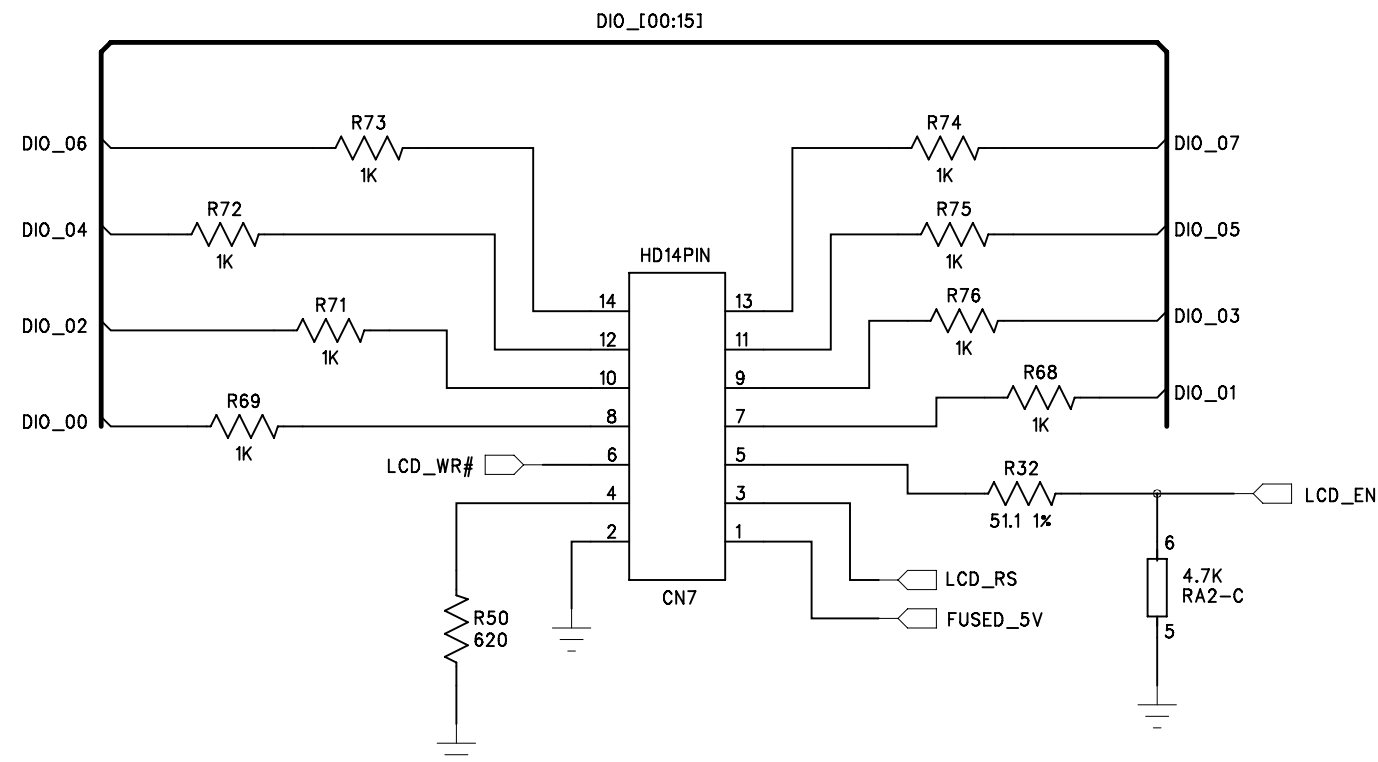
**Jumpers:**

- JP1 = Boot Serial
- JP2 = Console Enable
- JP3 = Write Enable Flash
- JP4 = Stop @ Redboot
- JP5 = TS\_Test
- JP6 = Reserved

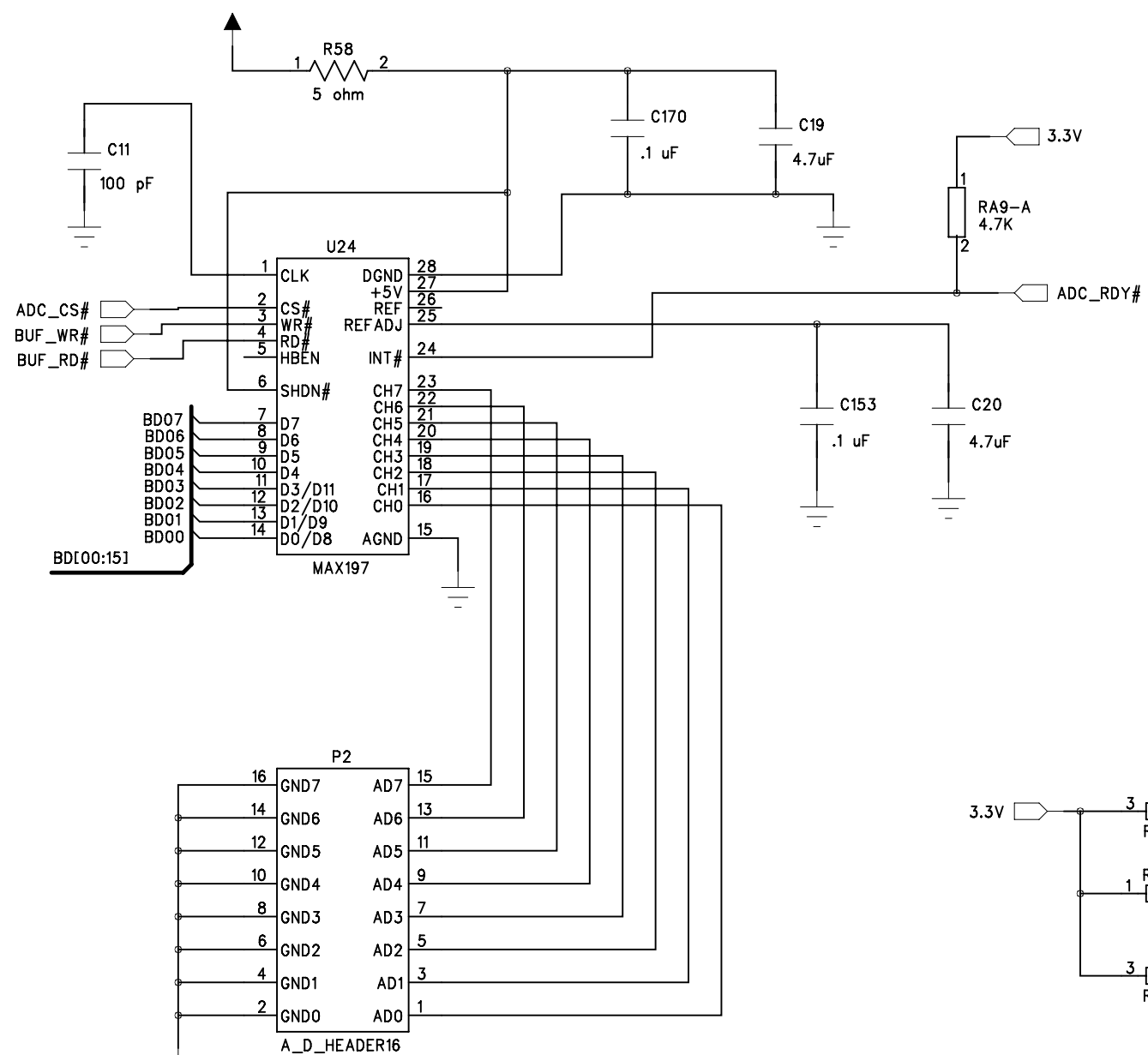
### DIO Port



### LCD Port



### 12-bit A/D Converter



### JTAG

