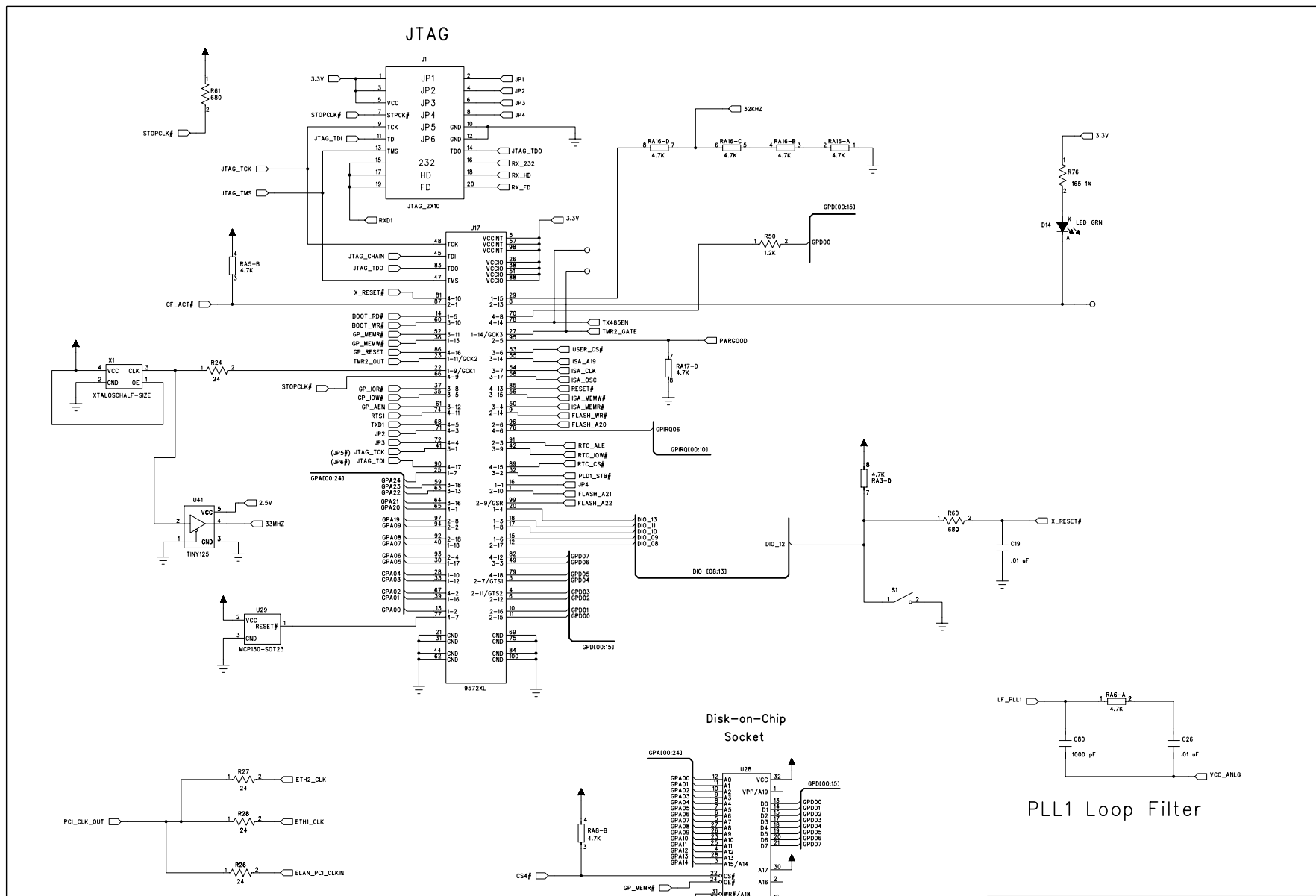
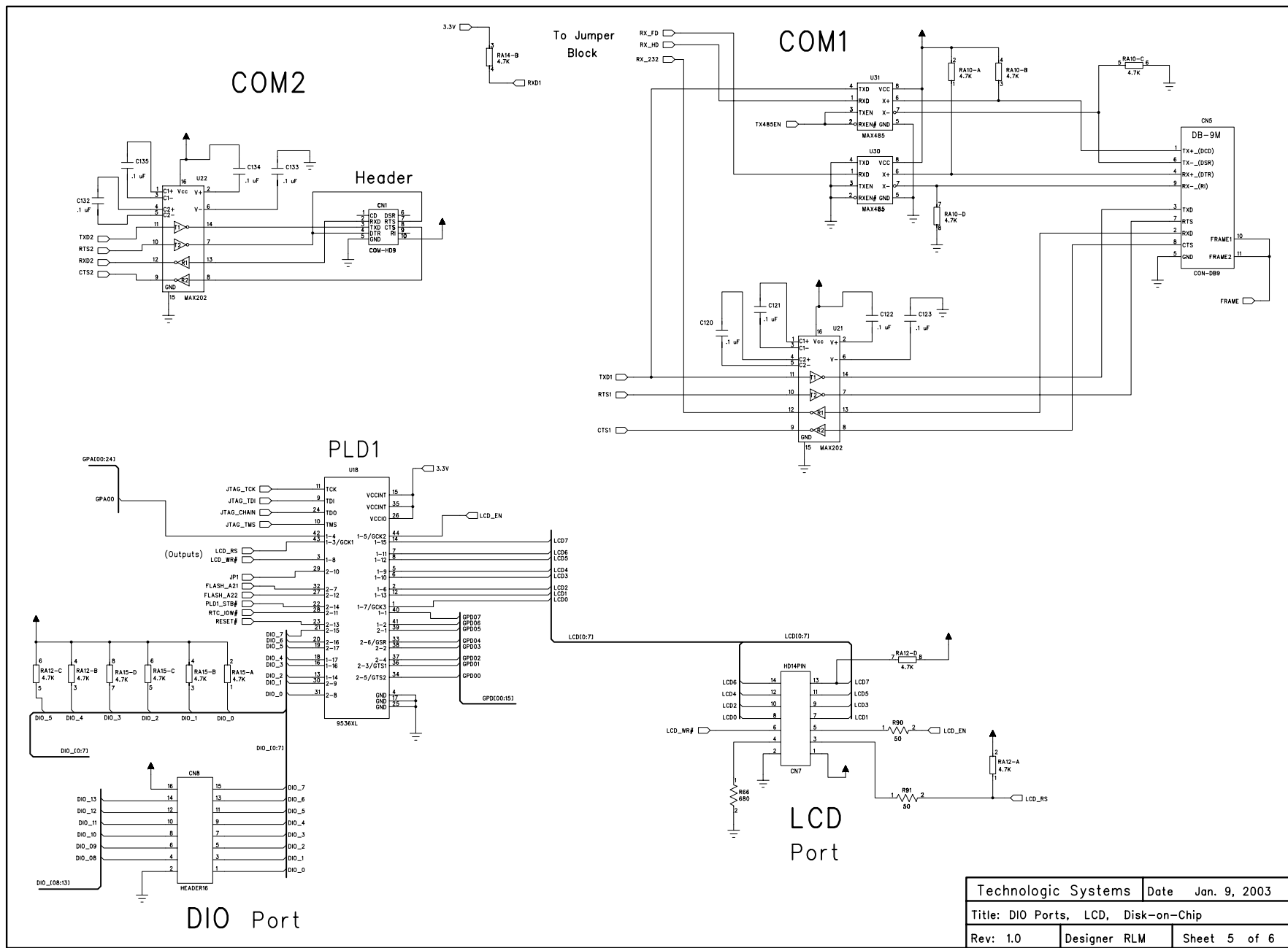


Technologic Systems	Date Jan. 9, 2003
Title: TS-5400 PC-104, SDRAM, RTC, CFflash	
Rev: 1.0	Designer RLM Sheet 3 of 6



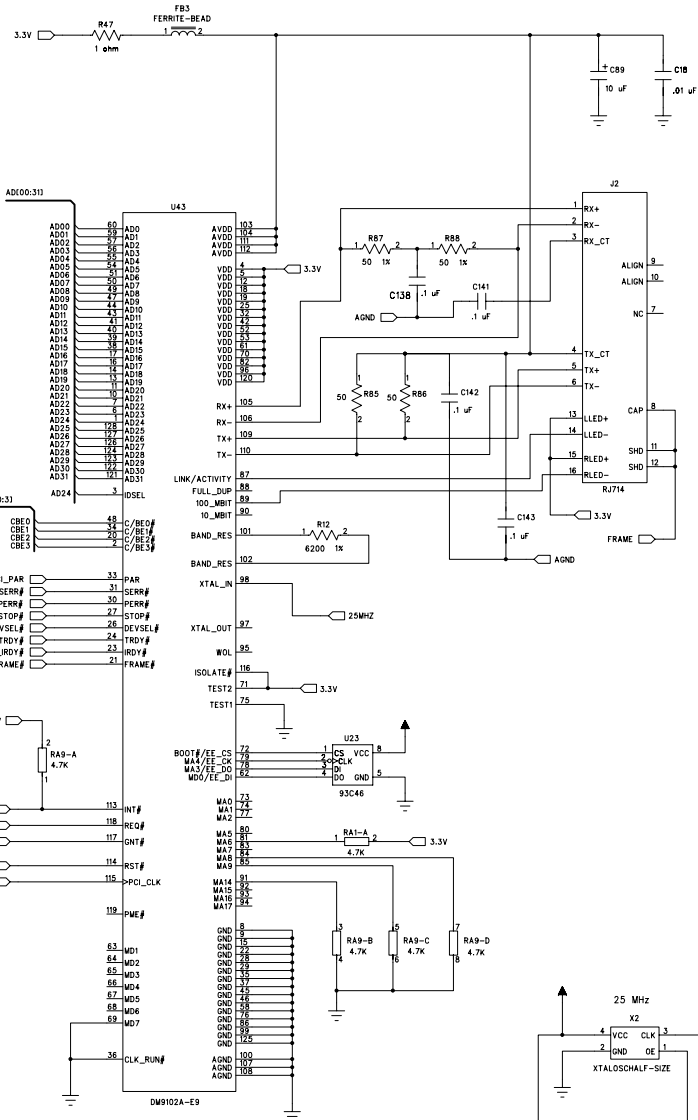
PCI Clock Buffer

Technologic Systems	Date Jan. 9, 2003
Title: TS-5400	PLD COM1, COM2
Rev: 1.0	Designer RLM Sheet 4 of 6

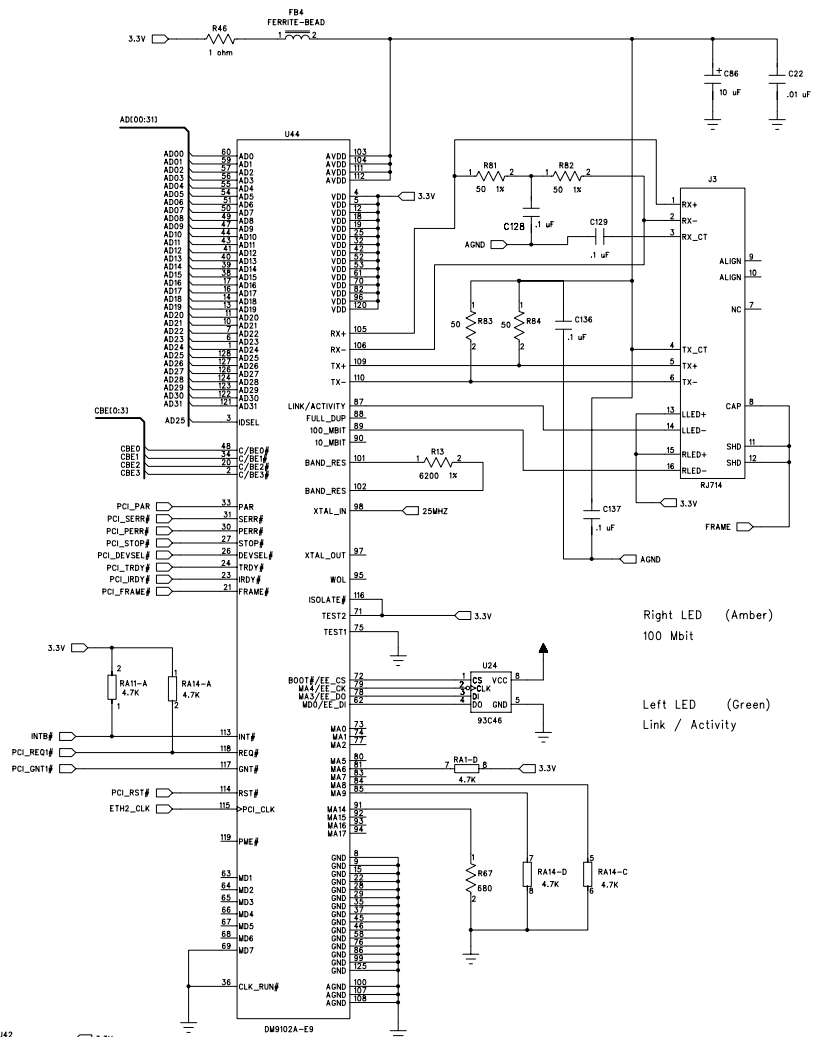


Technologic Systems	Date	Jan. 9, 2003
Title: DIO Ports, LCD, Disk-on-Chip		
Rev: 1.0	Designer	RLM
		Sheet 5 of 6

# 10/100 Ethernet



# 10/100 Ethernet



Right LED (Amber)  
100 Mbit

Left LED (Green)  
Link / Activity

Technologic Systems		Date Jan. 9, 2003	
Title: TS-5400 Dual Ethernet ports			
Rev: 1.0	Designer RLM	Sheet 6 of 6	